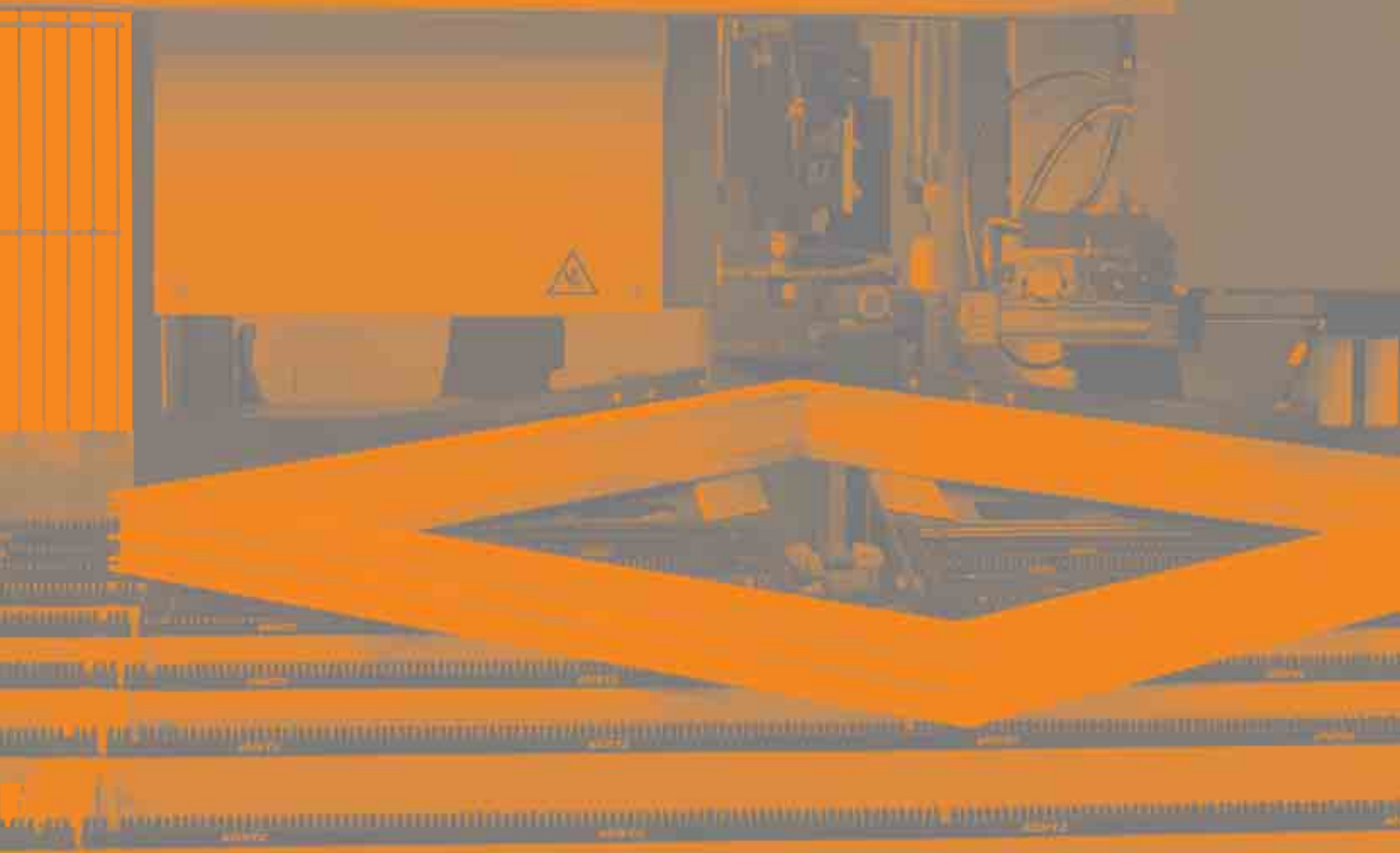




You have profile - we clean it !

elumatec GmbH & Co. KG - Pinacher Straße 61 - D 75417 Mühlacker - Lomersheim  
Tel +49 (0) 7041 14-0 - Fax +49 (0) 7041 14-280 - mail@elumatec.com - www.elumatec.com

# Single Line

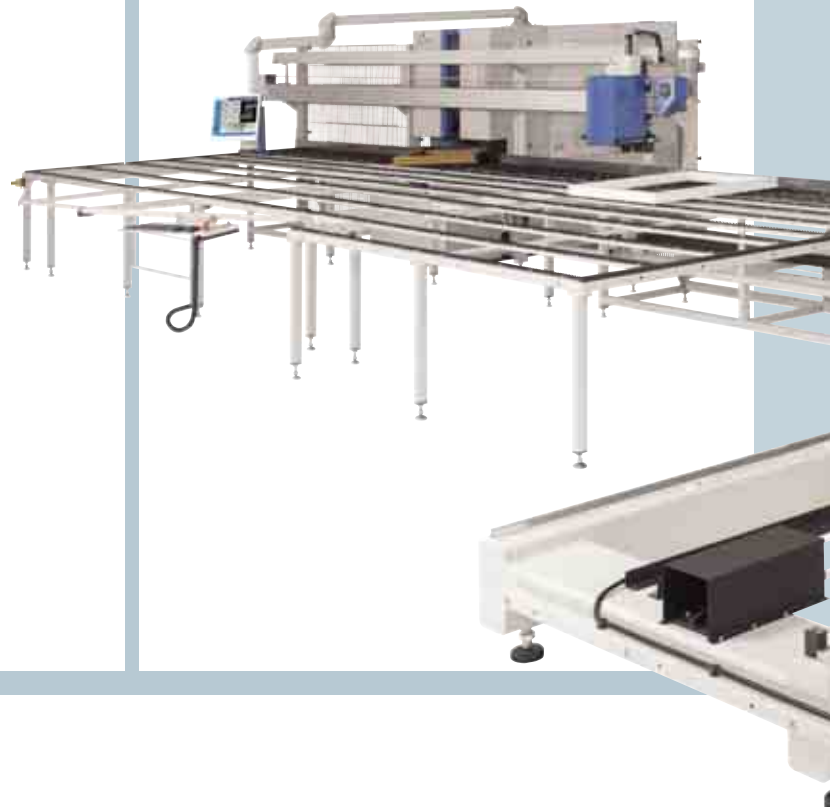


# Welding and corner cleaning production lines

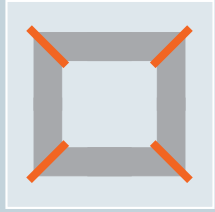
You have profile - we clean it !

## Horizontal or vertical Single Line

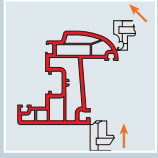
- The efficient combination of a horizontal or vertical four - head welding machine with an automatic corner cleaning machine in one production unit
- According to the customer's requirement concerning the manufacturing flow or the production capacity the special "modular designed system" offers combination possibilities for individual production lines
- From loading the profiles to the welding and corner cleaning process, up to the automatic unloading of the frames/sashes into the following production units, the Single Line is a compact, simple to operate production system
- High production security by data transfer between welding and corner cleaning machines
- Operation possibilities: Manual input, USB-Stick, Online
- [ [Technical information welding machine](#) ]
- Applications [ 01 ]
- Min. frame size horizontal 330 x 320 mm
- Min. frame size vertical 325 x 320 mm
- Max. frame size 4.000 x 2.600 mm
- Welding system diagonal and/or parallel
- Weld seam restriction 0,2 – 2,0 mm
- Heated limitation plates
- PC with TFT flat screen 17" and visualization
- [ [Optional](#) ]
- Inner gasket limitation
- [ [Technical information corner cleaning machine](#) ]
- Applications [ 02 - 06 ]
- Min. profile height 30 mm
- Max. profile height 100 mm
- Min. profile width 30 mm
- Max. profile width 130 mm
- Outside frame size min. 290 x 290 mm
- Inside frame size min. 175 x 175 mm
- 8 tool locations on top
- 2 - 8 tool locations below
- PC with TFT flat screen 17" and visualization
- Graphical profile programming on PC
- [ [Optional](#) ]
- Max. profile height 180 mm



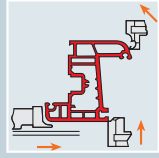
Single Line



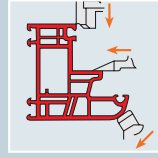
[ 01 ]



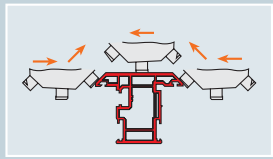
[ 02 ]



[ 03 ]



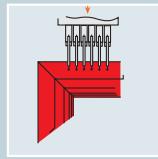
[ 04 ]



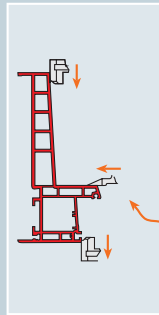
[ 05 ]



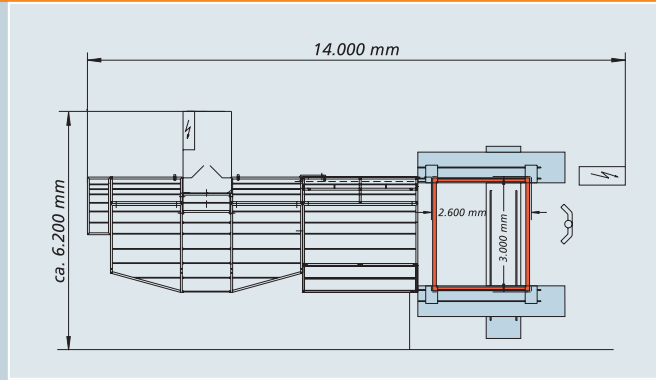
[ 06 ]



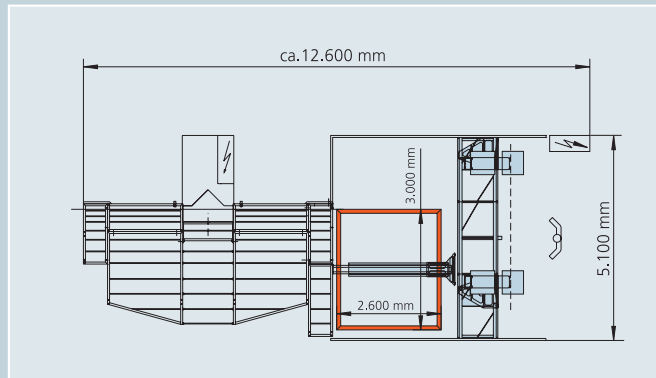
[ 07 ]



[ 08 ]



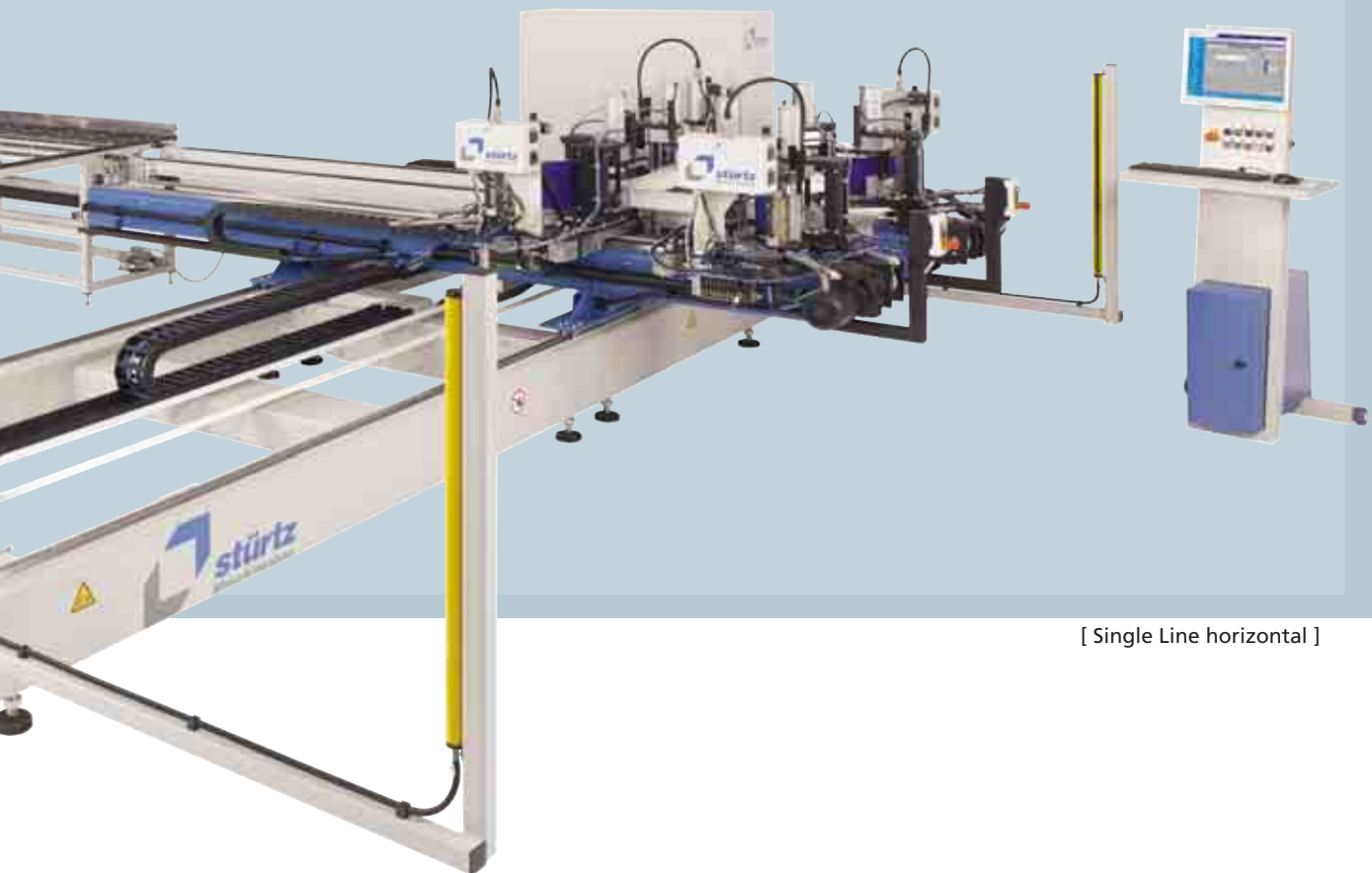
[ Single Line horizontal ]



[ Single Line vertical ]

2

3



[ Single Line horizontal ]